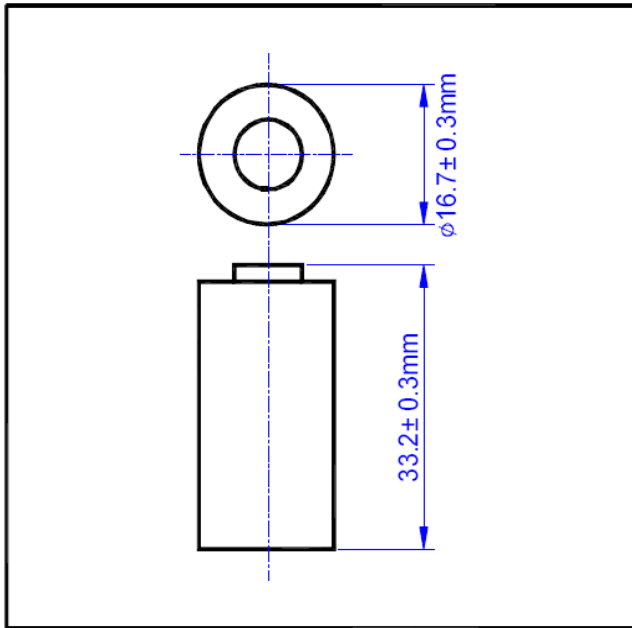


# Huiderui

## Lithium

### Cell Type CR17335E-R

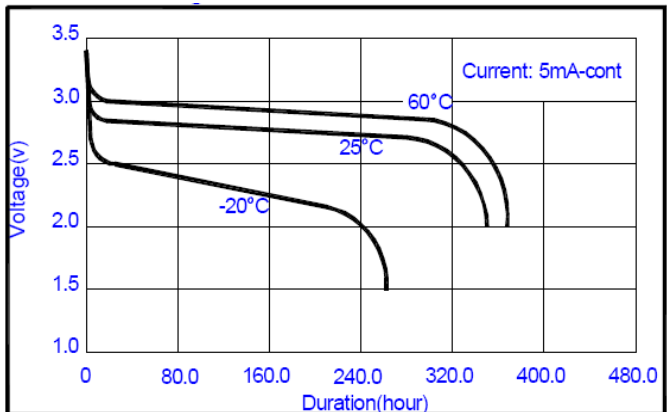
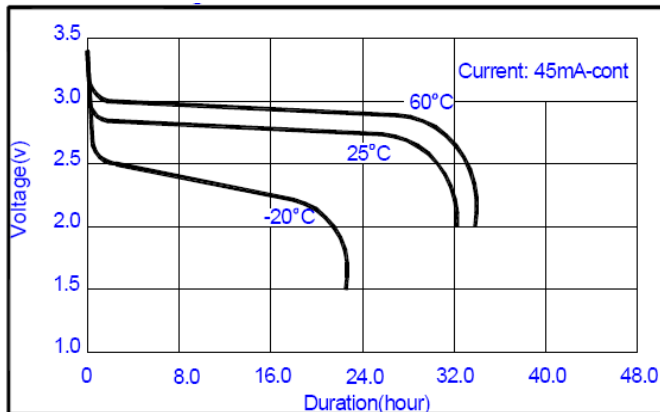
### Specification



Nominal Voltage		3.0V
Dimensions (Max.)	Diameter	17.0mm
	Height	33.5mm
Ref. Weight		20.0g
Nominal Capacity (Ave.)		1800mAh
Continuous Standard Load		0.5mA
Cut off Voltage		2.0V
Maximum Continuous Discharge Current		1000mA
Maximum Pulse Discharge Current		2500mA
Operating Temperature		-40~85°C

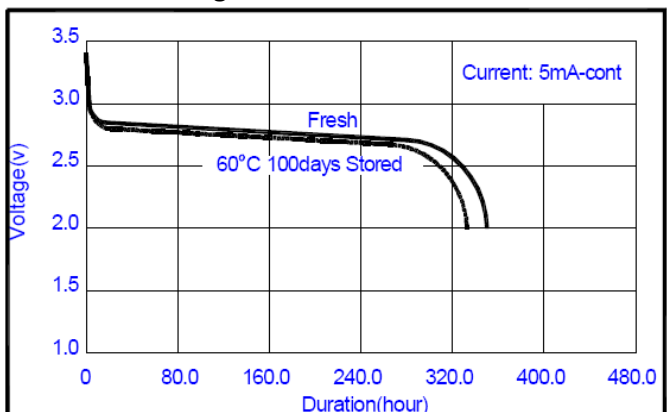
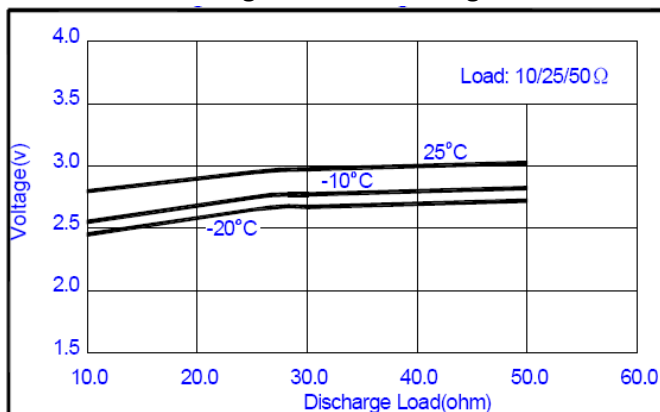
Discharge Characteristics

Discharge Characteristics



Discharge Load vs Voltage

Discharge Characteristics



#### WARNING:

- Do not charge, disassemble, heat above 100°C or incinerate.
- Do not mix fresh batteries and used batteries or other types of battery together.
- Do not short circuit.

This information is generally descriptive only and is not intended to make or imply any representation, guarantee or warranty with respect to any cells and batteries. Cell and battery designs/specifications are subject to modification without notice. Contact Huiderui for the latest information.