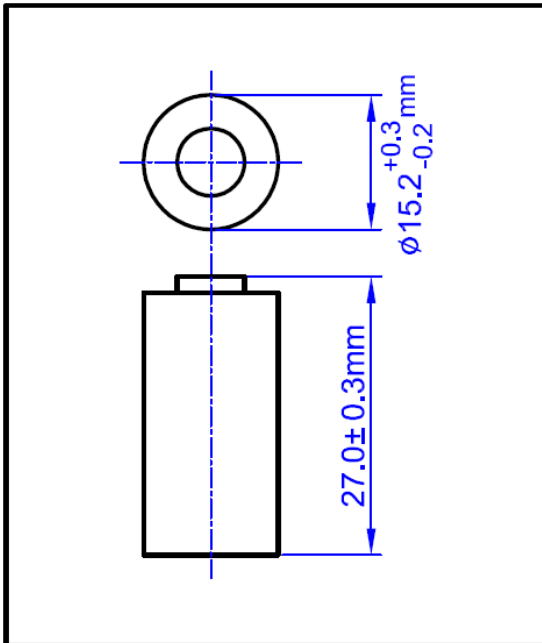


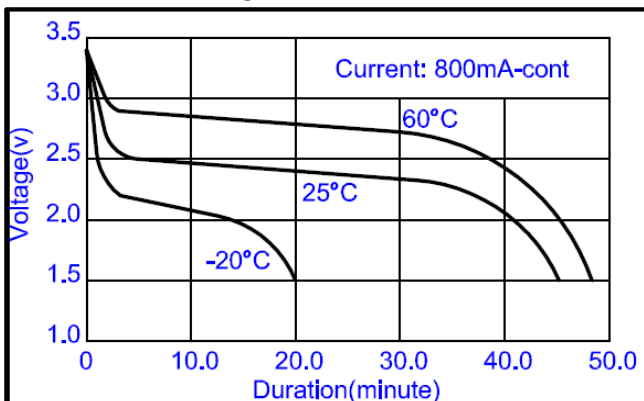
Huiderui Lithium

Cell Type CR2 Specification

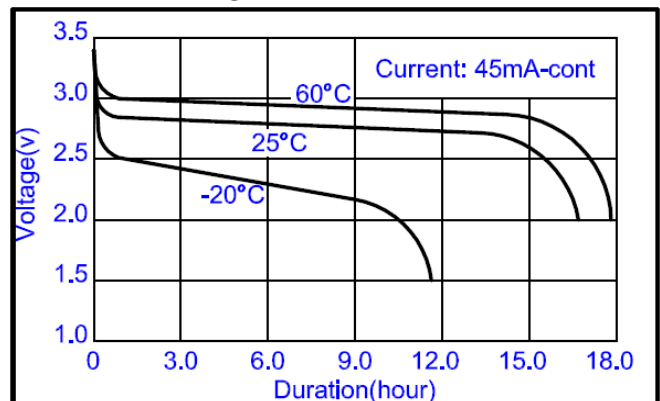


Nominal Voltage		3.0V
Dimensions (Max.)	Diameter	15.5mm
	Height	27.3mm
Ref. Weight		11.0g
Nominal Capacity (Ave.)		850mAh
Continuous Standard Load		10mA
Cut off Voltage		2.0V
Maximum Continuous Discharge Current		800mA
Maximum Pulse Discharge Current		1500mA
Operating Temperature		-40~+70*°C

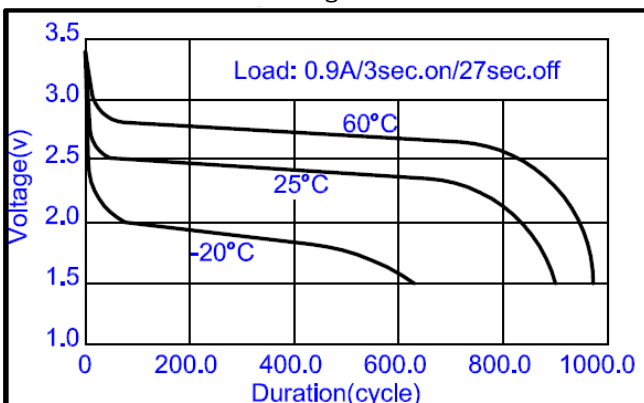
Discharge Characteristics



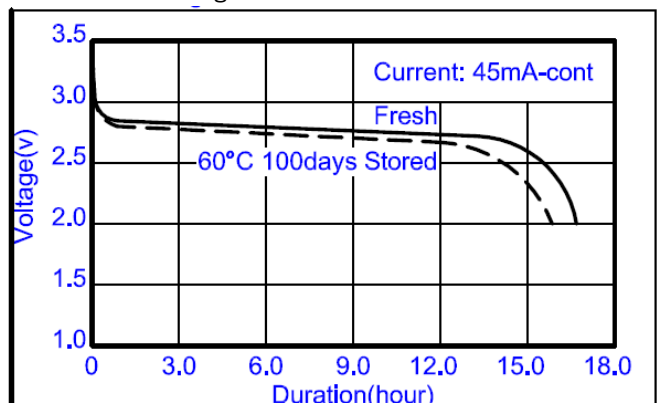
Discharge Characteristics



Pulse Discharge Characteristics



Discharge Characteristics



* Please consult Huiderui for use below and above -20°C to +60°C.

WARNING:

- Do not charge, disassemble, heat above 100°C or incinerate.
- Do not mix fresh batteries and used batteries or other types of battery together.
- Do not short circuit.

This information is generally descriptive only and is not intended to make or imply any representation, guarantee or warranty with respect to any cells and batteries. Cell and battery designs/specifications are subject to modification without notice. Contact Huiderui for the latest information.