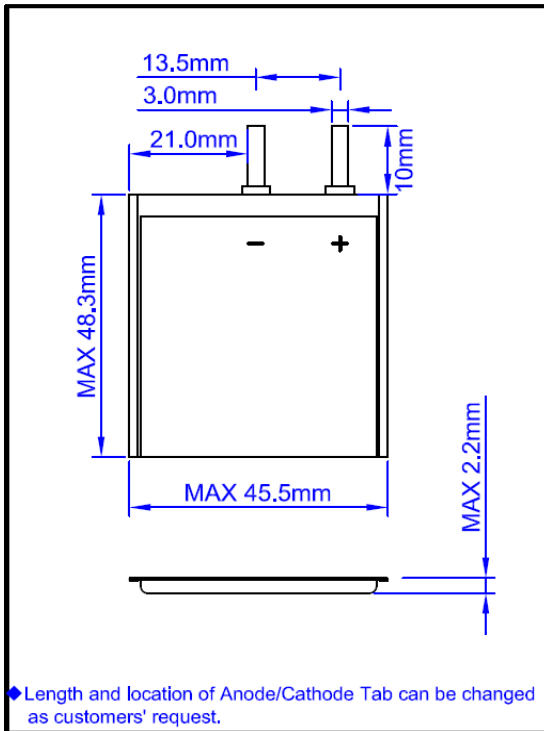


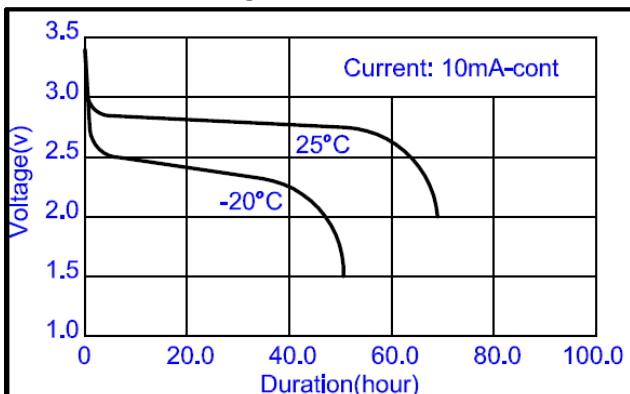
### Lithium

### Specifiation

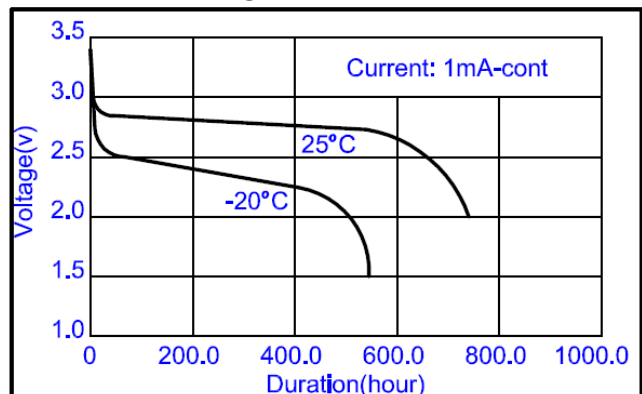


Nominal Voltage		3.0V
Dimensions (Max.)	Length	48.3mm
	Width	45.5mm
	Thickness	2.2mm
Ref. Weight		7.5g
Nominal Capacity (Ave.)		750mAh
Continuous Standard Load		1mA
Cut off Voltage		2.0V
Maximum Continuous Discharge Current		200mA
Maximum Pulse Discharge Current		400mA
Operating Temperature		-20~60°C

Discharge Characteristics



Discharge Characteristics



#### WARNING:

- Do not charge, disassemble, heat above 100°C or incinerate.
- Do not mix fresh batteries and used batteries or other types of battery together.
- Do not short circuit.

This information is generally descriptive only and is not intended to make or imply any representation, guarantee or warranty with respect to any cells and batteries. Cell and battery designs/specifications are subject to modification without notice. Contact Huiderui for the latest information.